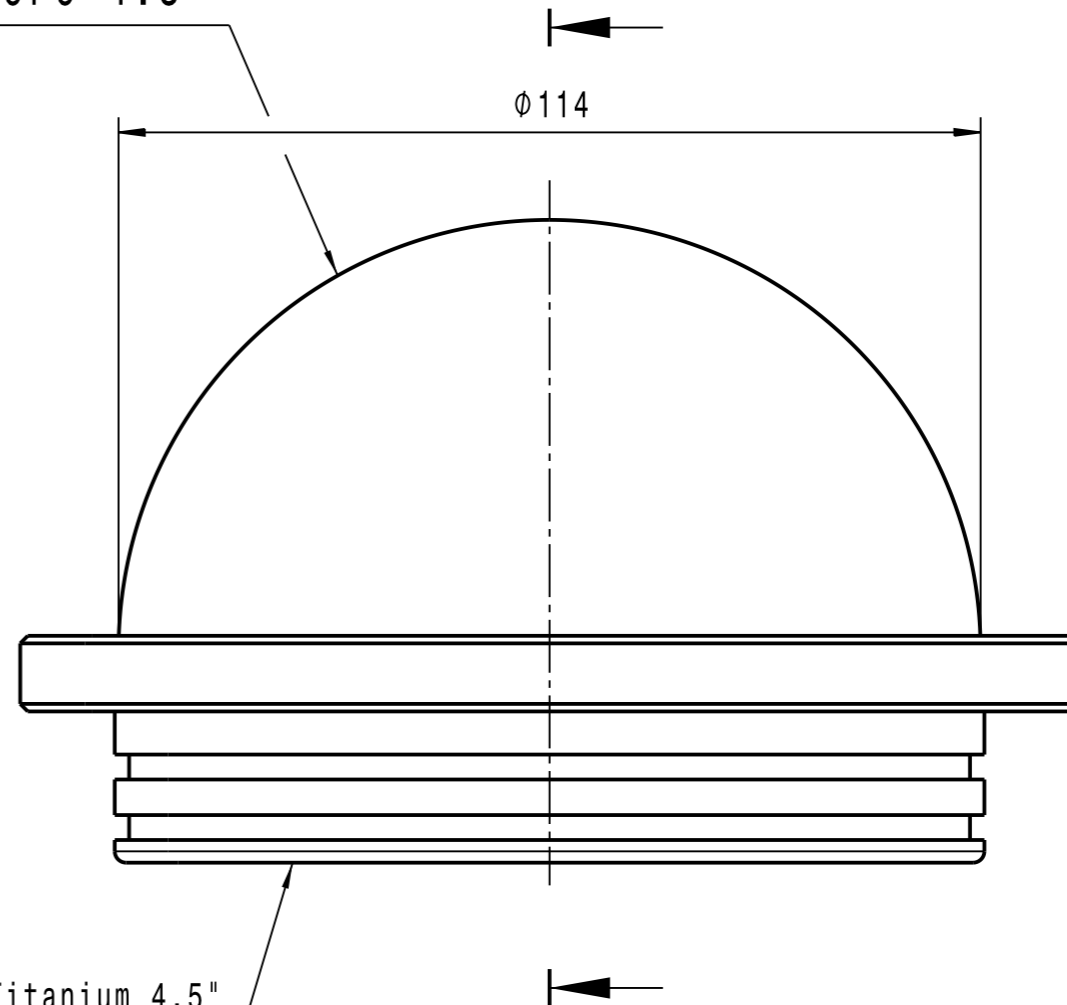
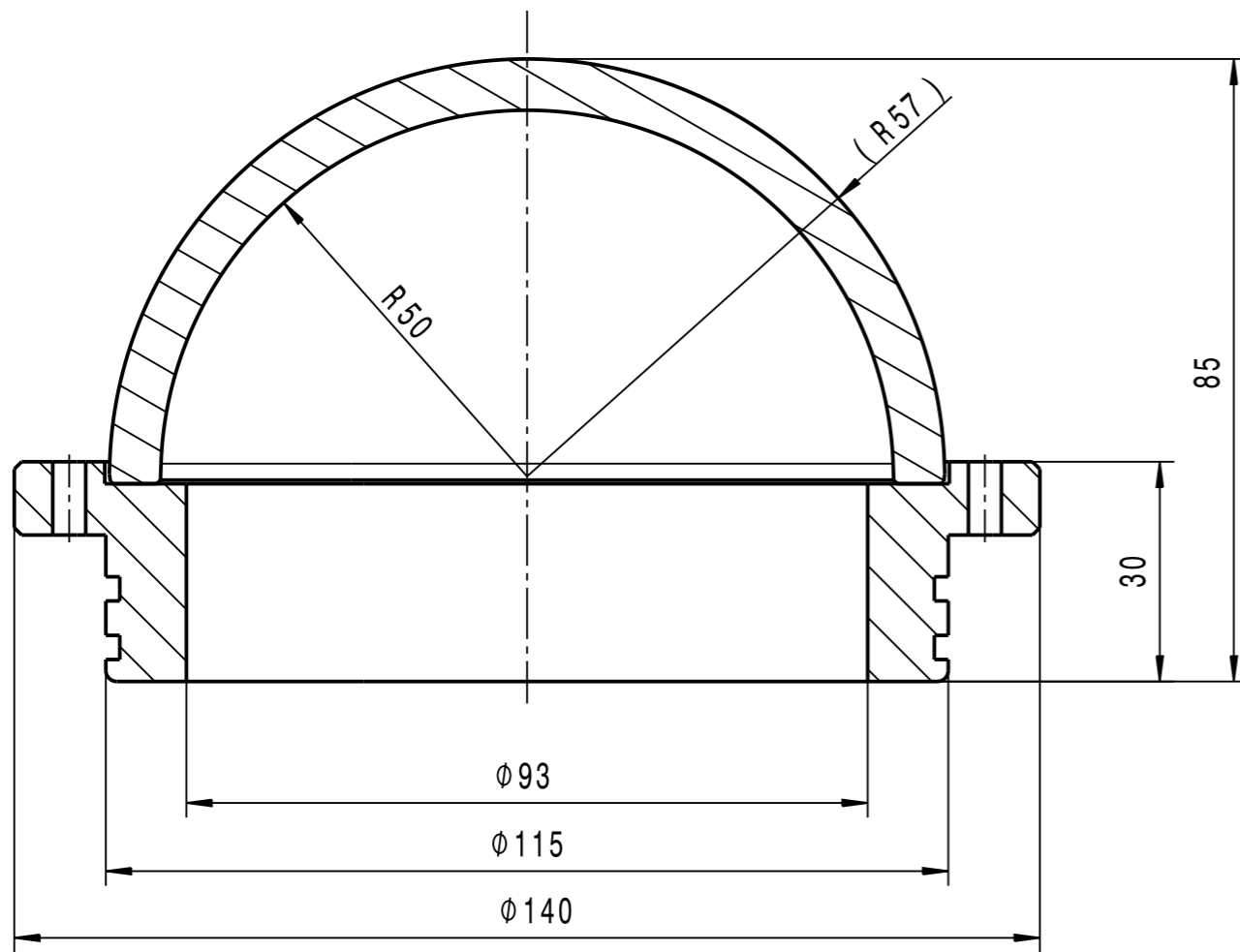


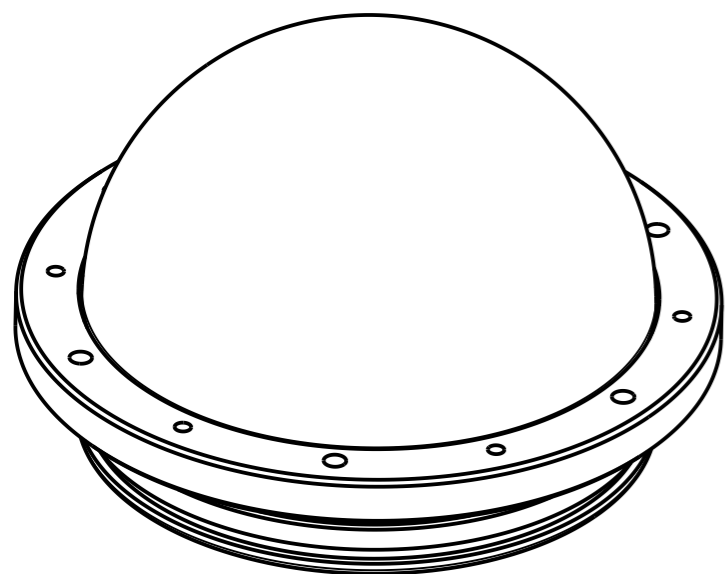
# Glass hemisphere 4.5"

HS-BOR-4.5/7  
HS-BK-4.5/7



Flange Titanium 4.5"  
(Internal)

## ISO-Ansicht



|                                |  |   |  |                                  |  |                          |  |   |  |                                       |  |
|--------------------------------|--|---|--|----------------------------------|--|--------------------------|--|---|--|---------------------------------------|--|
| <b>Not production drawing!</b> |  | Allgemeintoleranz /<br>general tolerance :<br>ISO 2768 m / Längemaße ±3 |  | Oberfläche /<br>finishing :<br>- |  | Maßstab /<br>scale : 1:1 |  | Format /<br>format : A3   |  | Masse /<br>weight : kg                |  |
| <b>Only for reference!</b>     |  | Proj.Methode / proj. method :   |  | Datum/date                       |  | Name/name                |  | Werkstoff, Halbzeug / material :<br>Titan Gr 5                            |  | Anderungsindex /<br>Amendment index : |  |
|                                |  | Proj.Methode / proj. method :   |  | 30.03.2017                       |  | Höfig                    |  | Benennung / drawing name :<br>FLA-TI-4.5 - INNEN<br>(Mit Glas Halbschale) |  | 0                                     |  |
|                                |  | Konstrukteur/in /<br>design engineer                                    |  | geprüft von /<br>approved by     |  | CAD-System : CATIA V5R19 |  | Zeichnungsnummer / drawing no. :<br>NMS-FLA-Ti-4.5-I                      |  | Blatt / sheet :<br>1<br>1 Bl.         |  |
|                                |  | Zeichner/in /<br>technical drafter                                      |  | Ers.f. / repl. for: ...          |  | Ers.d. / repl. thr.: ... |  |   |  |                                       |  |
| Index                          |  | Änderung / modification   |  | Datum/date                       |  | Name                     |  |   |  |                                       |  |